

DataTuff® Industrial Patch Panel

DIN Rail Modular Design

DataTuff industrial patch panel enables cables to be terminated and linked to active equipment such as switches. Its robust design protects cabling and connections in nearly any industrial application, and allows flexible patching and network design.

+ Robust design of **lightweight, high strength** aluminium housing

+ Allows termination and patching up to **12 copper cables**

+ **DIN rail mount** (TS35 in EN 60715)

Features

- Temperature range from -40°C to +70°C
- Predicted product life > 30 years
- UL 1863 certified
- Unpopulated ports compatible with any Keystone jacks or couplers, providing maximum flexibility

IPDM stands for:

I	Industrial
P	Patch Panel
D	DIN Mount
M	Modular Design



Construction

The aluminium housing design can hold up to 3 single modules. See below for the dimensions of a single, double or triple module IPDM. Both module and housing are powder coated.

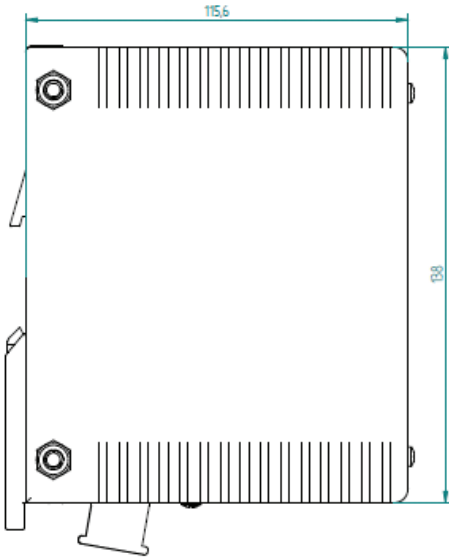


Figure 1 - IPDM side view with dimensions

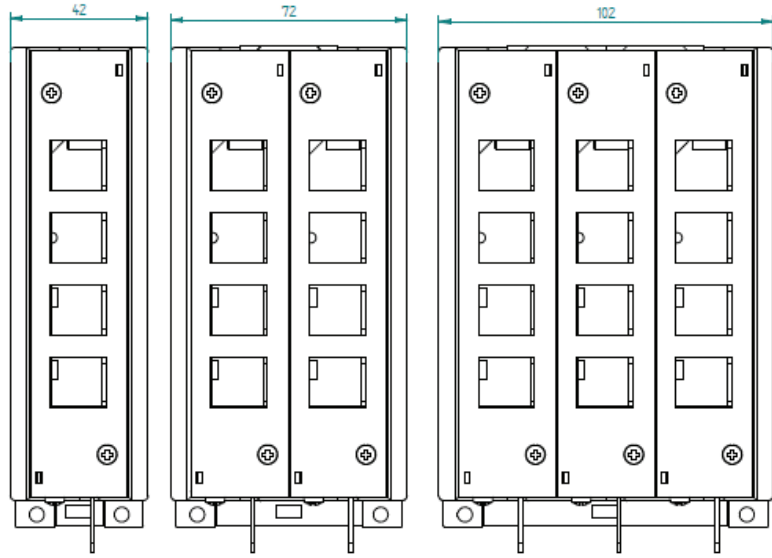
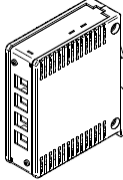
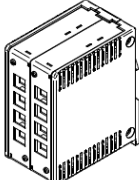
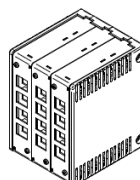


Figure 2 - IPDM Front view with dimensions

Construction, Dimensions & Mechanical data

IPDM Type and Description			
IPDM Part Numbers	IPDM1	IPDM2	IPDM3
			
Mechanical Construction			
Housing Material	Die Cast Aluminum		
Dimensions - Width (mm)	42	72	102
Dimensions - H x D (mm)	138 x 116		
Mounting	DIN Rail		
Weight Housing (gr)	630	980	1330

Recommended Copper Connections

IPDMs are unpopulated industrial patch panels. It is compatible with any shielded or unshielded Keystone RJ45 jack or coupler, including CAT5E, CAT6, CAT6A, CAT7, etc. Here are some RJ45 connector part numbers for assembly consideration.

PRODUCT NAME		PERFORMANCE		MODULE TYPE	
Industrial REVConnect	RV	Cat 6A	A	Industrial Jack	U
SHIELDING		Cat 6	6	Industrial Plug	IP
Unshielded	U	Cat 5e	5	Industrial Coupler	IU
Shielded	S	Universal Item	U	Industrial Core	IO
IP RATING		COLOR CODE		PUT UP	
IP20	2	Orange	OR	Single Bag	S1
NO IP	0	Teal	TE	Bulk Pack of 24	B24
		Black	BK	Bulk Pack of 50	B50
		Blue	BL		
		White	EW		
		Metal	ME		

* 22 AWG wire shall meet Insulation OD requirement

Part Numbers

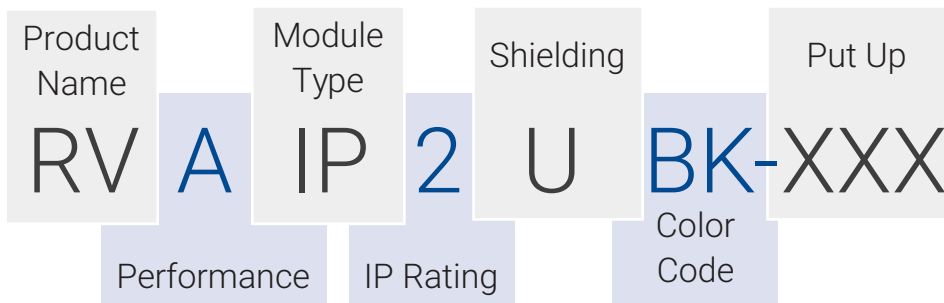


IMAGE	COMPONENT	PART #	COLOR	DESCRIPTION
	Jack, Cat 5e UTP RJ45	RV5IJ2UXX-XXX	5 Colors	Industrial REVConnect IP20 RJ45 Unshielded Cat 5e Jack with Universal Core(s)
	Jack, Cat 6 UTP RJ45	RV6IJ2UXX-XXX	5 Colors	Industrial REVConnect IP20 RJ45 Unshielded Cat 6 Jack with Universal Core(s)
	Jack, Cat 6A UTP RJ45	RVAIJ2UXX-XXX	5 Colors	Industrial REV Connect IP20 RJ45 Unshielded Cat 6A Jack with Universal Core(s)
	Jack, Cat 5e STP RJ45	RV5IJSME-XXX	Metal	Industrial REVConnect IP20 RJ45 Shielded Cat 5e Jack with Universal Core(s)
	Jack, Cat 6 STP RJ45	RV6IJSME-XXX	Metal	Industrial REVConnect IP20 RJ45 Shielded Cat 6 Jack with Universal Core(s)
	Jack, CAT 6A STP RJ45	RVAIJSME-XXX	Metal	Industrial REVConnect IP20 RJ45 Shielded Cat 6A Jack with Universal Core(s)
	Core	RVUI000UEW-XXX	White	Universal Industrial REVConnect Core for use with Jack or Plug
	Coupler, CAT 5e, 6, 6A UTP	RVAIU2UXX-XXX	White/Black	Industrial REVConnect Cat 6A Coupler that connects 2 Cores
	Cordset, Custom	VRXXX-XXX-XXX	Custom	Custom Cable, Color, Length Terminated with Industrial REVConnect Core
	Tool, Crimping	RVUTT01	NA	Include Cable Stripping Tool and Crimping Tool for Industrial REVConnect Core

For more information on Industrial REVConnect RJ45 jacks, plugs, and couplers, please go to belden.com/Industrial-REVConnect

Accessories

You may select from a variety of IP20 and IP67 Industrial RJ45 patch cords in [Belden's product portfolio](#).

Industrial REVConnect Factory Terminated Cordsets

xx	Cable
00	7923A
02	7924A
10	7922A
18	7931A
19	7940A
20	7953A
22	7957A
23	7958A
25	7938A
38	7903A

Configuring Your Part Number

Here's an example:

Ind REVConnect Cordset	CAT5e	Ft. vs Meters	Cable Type	Core to Core	Color	Length
VR	5	F	XX	K	010	010
Factory Terminated	Cable Category	Unit of Measure for Length	See Lookup Table	Connector Types		

Please remember to order an Industrial REVConnect jack or plug for each core to plug in

VR5FxxK010010	DataTuff® Industrial REVConnect Cord-Set, Cat5E, xx CORE TO CORE, 010 ft. (xx = Cable), (010 = Color), (010 = Length)
VR5FxxL 010010	DataTuff® Industrial REVConnect Cord-Set, Cat5E, xx CORE TO OPEN, 010 ft. (xx = Cable), (010 = Color), (010 = Length)
VR5FxxM 010010	DataTuff® Industrial REVConnect Cord-Set, Cat5E, xx CORE TO RJ45 IP20, 010 ft. (xx = Cable), (010 = Color), (010 = Length)
VR5FxxN 010010	DataTuff® Industrial REVConnect Cord-Set, Cat5E, xx CORE TO CORE TO RJ45 IP67, 010 ft. (xx = Cable), (010 = Color), (010 = Length)
VR5FxxP 010010	DataTuff® Industrial REVConnect Cord-Set, Cat5E, xx CORE TO RJ45 RUGGEDIZED IP20, 010 ft. (xx = Cable), (010 = Color), (010 = Length)
VR5FxxQ 010010	DataTuff® Industrial REVConnect Cord-Set, CAT5E, xx, Industrial REVConnect RJ45 jack IP20 TO Industrial REVConnect RJ45 jack IP20, 010 ft. (xx = Cable), (010 = Color), (010 = Length)
VR5FxxR 010010	DataTuff® Industrial REVConnect Cord-Set, CAT5E, xx, Industrial REVConnect RJ45 plug IP20 TO Industrial REVConnect RJ45 plug IP20, 010 ft. (xx = Cable), (010 = Color), (010 = Length)
VR6FxxK 010010	DataTuff® Industrial REVConnect Cord-Set, Cat6, xx CORE TO CORE, 010 ft. (xx = Cable), (010 = Color), (010 = Length)
VR6FxxL 010010	DataTuff® Industrial REVConnect Cord-Set, Cat6, xx CORE TO OPEN, 010 ft. (xx = Cable), (010 = Color), (010 = Length)
VR6FxxM 010010	DataTuff® Industrial REVConnect Cord-Set, Cat6, xx CORE TO RJ45 IP20, 010 ft. (xx = Cable), (010 = Color), (010 = Length)
VR6FxxN 010010	DataTuff® Industrial REVConnect Cord-Set, Cat6, xx CORE TO RJ45 IP67, 010 ft. (xx = Cable), (010 = Color), (010 = Length)
VR6FxxP 010010	DataTuff® Industrial REVConnect Cord-Set, Cat6, xx CORE TO CORE TO RJ45 RUGGEDIZED IP20, 010 ft. (xx = Cable), (010 = Color), (010 = Length)
VR6FxxQ 010010	DataTuff® Industrial REVConnect Cord-Set, CAT6, xx, Industrial REVConnect RJ45 jack IP20 TO Industrial REVConnect RJ45 jack IP20, 010 ft. (xx = Cable), (010 = Color), (010 = Length)
VR6FxxR 010010	DataTuff® Industrial REVConnect Cord-Set, CAT6, xx, Industrial REVConnect RJ45 plug IP20 TO Industrial REVConnect RJ45 plug IP20, 010 ft. (xx = Cable), (010 = Color), (010 = Length)

Note: On one or both ends of above cordsets are Industrial REVConnect cores shown in the images below as white cubes. Users need to order an Industrial REVConnect jack, plug, or coupler to be applied with each core..

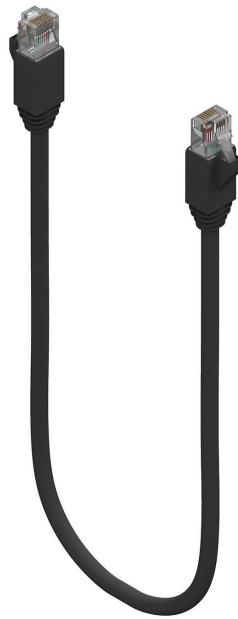


DataTuff Industrial Ethernet Cordsets (RJ45) with Heavy Duty Oil & Sunlight Resistant Black Jackets

For Base Cable specifications, refer to Cable Selection Guide on Page 3 of the Ethernet Solutions Brochure.

Belden Part No.	IP Rating *	Length, in Meters (m)	Tethered Cap	Connector	Base Cable	Conductor	Shielding	Speed
E6000xx	IP67	xx = 01,02,03,05,25	Yes	RJ45	7940A	Solid	Unshielded	Cat6
E6010xx	IP20	xx = 01,02,03,05	—	RJ45	7940A	Solid	Unshielded	Cat6
E6040xx	IP67	xx = 01,02,03,05,25	Yes	RJ45	7953A	Solid	Shielded	Cat6
E6050xx	IP20	xx = 01,02,03,05	—	RJ45	7953A	Solid	Shielded	Cat6
R5090xx	IP20	xx = 01,02,03,05,10	—	Rugged RJ45	7957A	Solid	Shielded	Cat6
R6010xx	IP20	xx = 01,02,03,05	—	Rugged RJ45	7940A	Solid	Unshielded	Cat6
R6050xx	IP20	xx = 01,02,03,05	—	Rugged RJ45	7953A	Solid	Shielded	Cat6
E5000xx	IP67	xx = 01,02,03,05,25	Yes	RJ45	7923A	Solid	Unshielded	Cat5e
E5010xx	IP20	xx = 01,02,03,05	—	RJ45	7923A	Solid	Unshielded	Cat5e
E5020xx	IP67	xx = 01,02,03,05,25	Yes	RJ45	7924A	Stranded	Unshielded	Cat5e
E5030xx	IP20	xx = 01,02,03,05	—	RJ45	7924A	Stranded	Unshielded	Cat5e
E5040xx	IP67	xx = 01,02,03,05,25	Yes	RJ45	7958A	Solid	Shielded	Cat5e
E5050xx	IP20	xx = 01,02,03,05	—	RJ45	7958A	Solid	Shielded	Cat5e
E5060xx	IP67	xx = 01,02,03,05,25	Yes	RJ45	7939A	Stranded	Shielded	Cat5e
E5070xx	IP20	xx = 01,02,03,05	—	RJ45	7939A	Stranded	Shielded	Cat5e
E5080xx	IP67	xx = 01,02,03,05,10	—	RJ45	7957A	Solid	Shielded	Cat5e
E5090xx	IP20	xx = 1,2,3,4,5,6,7,10,50	—		7957A	Solid	Shielded	Cat5e

* IP67 interface complies with the EtherNet/IP specification (IEC 61076-3-106 Variant 1)



IP20 Cordset



IP67 Cordset

Related Resources

Industrial Ethernet Connectivity Brochure: <http://www.belden.com/ie-cable-&-connectivity-brochure>

Industrial REVConnect: belden.com/Industrial-REVConnect

Ordering Information

Please contact your Belden representative or customer service to verify your selected configuration.



Belden declares this product to be in compliance with the environmental regulations EU RoHS (Directive 2002/95/EC, 27 January 2003); this is valid for all material produced after the RoHS compliant date for this product.

About Belden

Belden Inc., a global leader in high quality, end-to-end signal transmission solutions, delivers a comprehensive product portfolio designed to meet the mission-critical network infrastructure needs of industrial, enterprise and broadcast markets. With innovative solutions targeted at reliable and secure transmission of rapidly growing amounts of data, audio and video needed for today's applications, Belden is at the center of the global transformation to a connected world. Founded in 1902, the company is headquartered in St. Louis, USA, and has manufacturing capabilities in North and South America, Europe and Asia.

For more information, visit us at www.belden.com.
Follow us on Twitter@BeldenIND. Call 1-800-BELDEN-1