

ATTACHES TO TOP OF THE ENCLOSURE AND HOOKS OVER THE WALL BRACKET

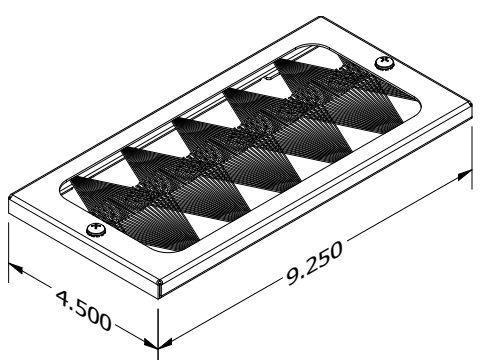
USE BRACKETS WHEN MOUNTING IN REAR SECTION

ATTACHES TO WALL

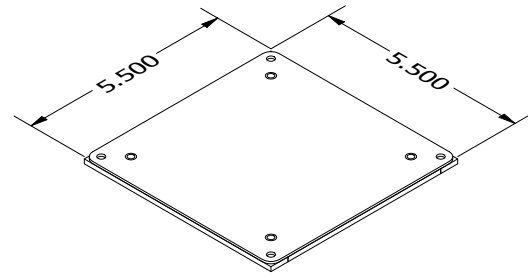
ATTACHES TO BOTTOM OF THE ENCLOSURE

PN# XHWMBKT
HYBRID WALL MOUNT EASY MOUNT WALL BRACKET KIT
(ENCLOSURES MUST BE ANCHORED TO WALL)

MOUNT PANEL ONLY WHEN MOUNTING IN MID SECTION

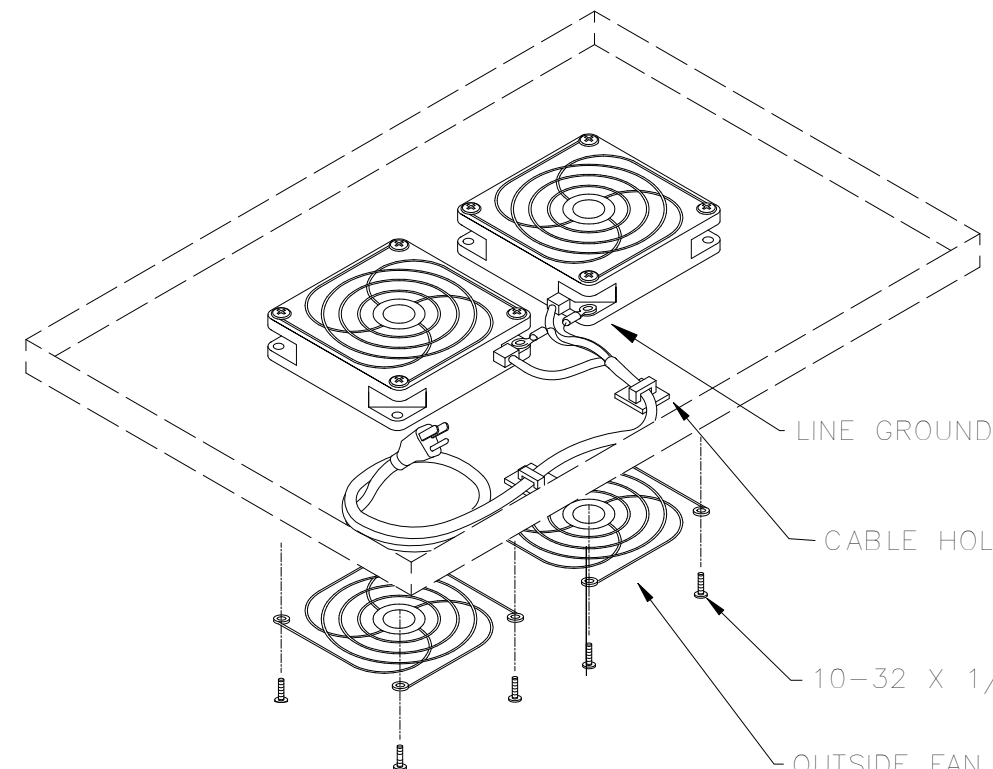


PN# XHWBRUSHKIT
REAR SECTION BRUSH KIT
MOUNTS OVER 2.5" X 8.0" CUTOUT IN THE REAR SECTION



PN# XHWCOVERKIT
GASKETED COVER PLATE KIT
MOUNTS OVER FAN AREAS IN THE MID SECTION

TABLE	
FEILD DATA	ENCLOSURE HEIGHT
24	24.000"
36	36.000"
48	48.000"



PN# XHWFANKIT115V
FAN KIT WITH (2) 4" 115V FANS
(160 CFM TOTAL) MOUNT TO SIDE PANELS OF CENTER SECTION

PN# HWVMP01_01
VERTICAL CABLE MANAGER
MOUNT IN REAR SECTION USING BRACKETS OR IN MID SECTION ON RAIL STRUTS

TABLE	
FIELD DATA	ENCLOSURE HEIGHT
24	24.000"
36	36.000"
48	48.000"

PN# XHW_BBD
PLYWOOD BACKBOARD KIT
MOUNT IN REAR SECTION USING BRACKETS

BELDEN

THIS DRAWING AND ALL INFORMATION CONTAINED HEREIN IS THE PROPERTY OF BELDEN. ANY USE, COPY OR REPRODUCTION OF THIS MATERIAL WITHOUT WRITTEN PERMISSION OF BELDEN IS PROHIBITED

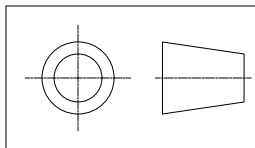
XHW SERIES ACCESSORIES MASTER

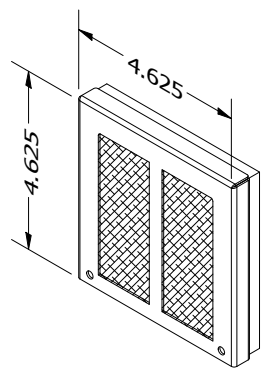
HYBRID WALL MOUNT ACCESSORIES

DRAWN BY: JWP
DRAWN DATE: 7-11-18

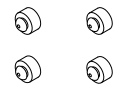
UNITS: INCH SH 1 of 2 C
SCALE: DATE: 7/11/2018

SUBMITTAL

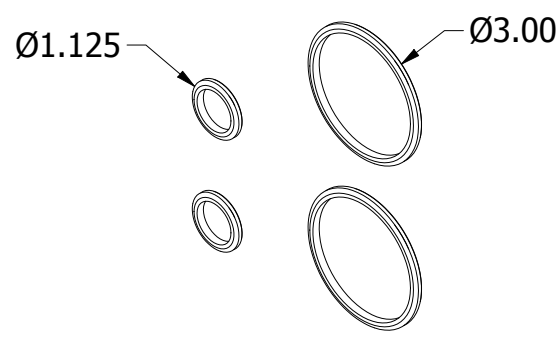




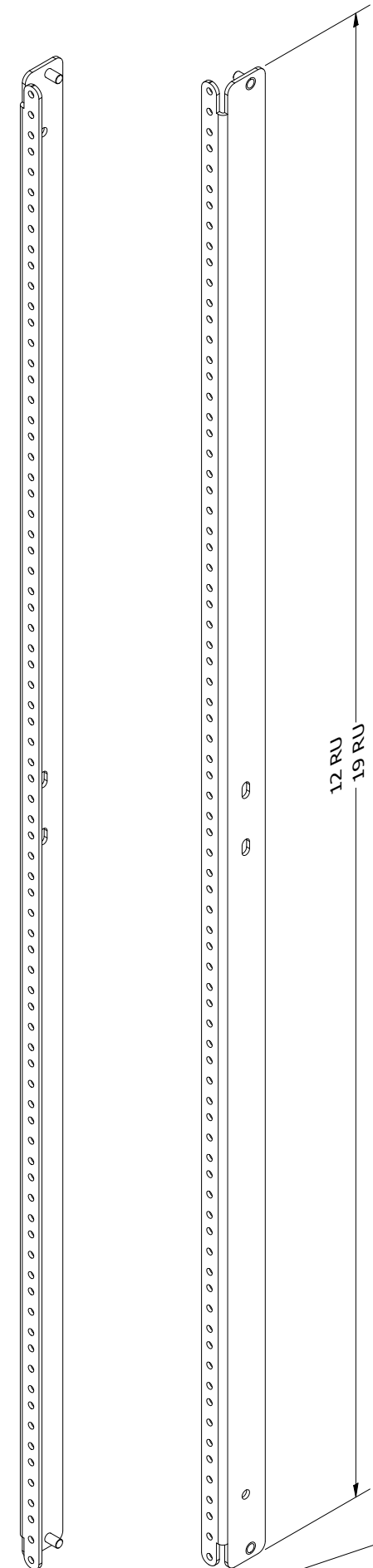
PN# XHWFILTERKIT
 (2) FILTER HOUSINGS MOUNT
 TO SIDE PANELS OF CENTER SECTION
 ATTACH FROM INSIDE



PN# XHWFOOTKIT
 (4) RUBBER FEET
 MOUNT TO BOTTOM
 OF CENTER SECTION

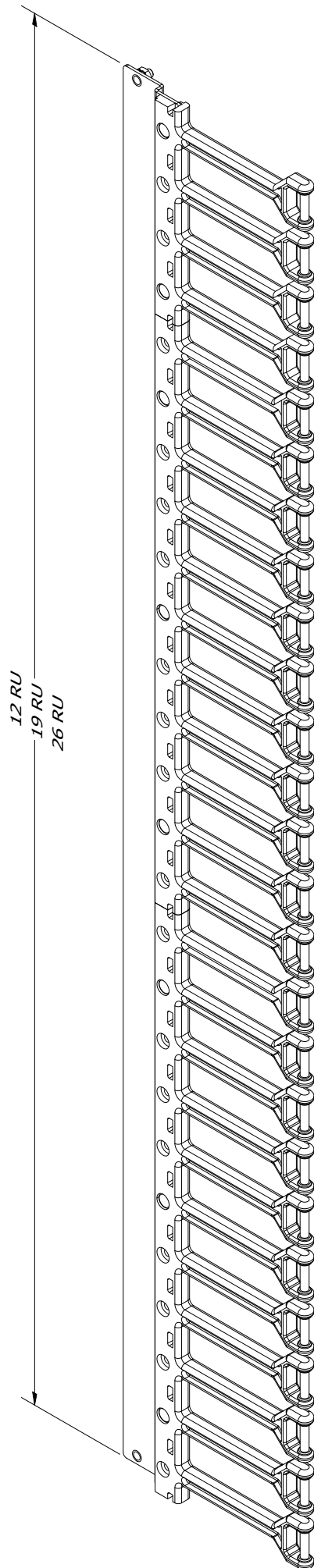


PN# XHWGROMMETKIT
 (2) Ø1.125 RUBBER GROMMETS
 (2) Ø3.000 RUBBERS GROMMETS
 FOR REAR SECTION KNOCKOUTS



PN# XHW _ _ RLS1224
 (1) PAIR OF EIA RAILS
 TAPPED #12-24 WITH
 (20) PCS MOUNTING HARDWARE INCLUDED

TABLE	
FIELD DATA	ENCLOSURE HEIGHT
24	24.000"
36	36.000"
48	48.000"



PN# HWFS _ _
 VERTICAL FINGER STRIP MANAGER
 MOUNTS ON SAME STRUT AS EIA RAILS

TABLE	
FEILD DATA	ENCLOSURE HEIGHT
24	24.000"
36	36.000"
48	48.000"

BELDEN

THIS DRAWING AND ALL INFORMATION CONTAINED HEREIN IS THE PROPERTY OF BELDEN. ANY USE, COPY OR REPRODUCTION OF THIS MATERIAL WITHOUT WRITTEN PERMISSION OF BELDEN IS PROHIBITED

XHW SERIES ACCESSORIES MASTER

HYBRID WALL MOUNT ACCESSORIES

DRAWN BY: JWP

DRAWN DATE: 7/11/2018

UNITS: INCH

SH 2 of 2 C

SCALE:

DATE: 7/11/2018

SUBMITTAL

